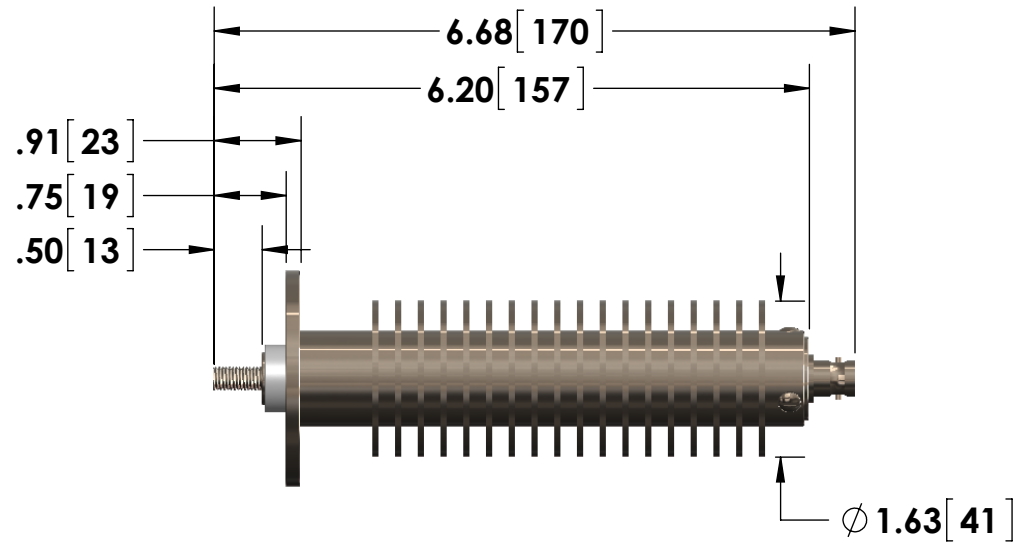
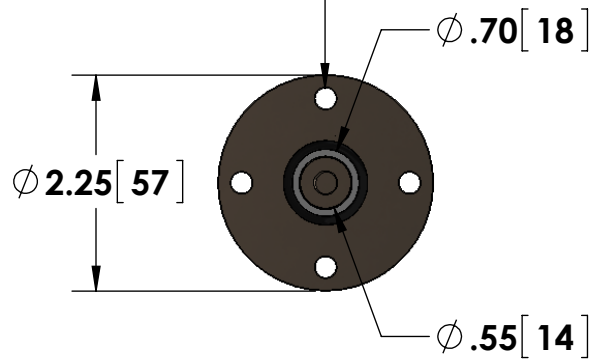


- 1/4-28 Stud Input w/Nut
- BNC (Amphenol) Output

4X ϕ .22 [6] THRU
ON A ϕ 1.75 [44] BOLT CIRCLE



Specifications subject to change without notice.



T & M RESEARCH PRODUCTS, INC.

TITLE:

M SERIES - 2M FINNED - 125 Watt

DIMENSIONS:

inch [mm]

DATE:

03-26-2015